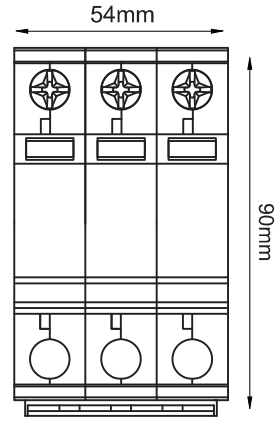
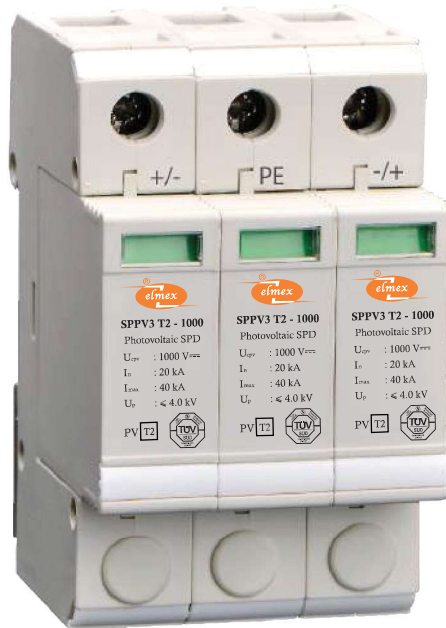
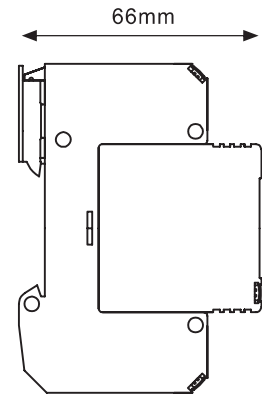




SPPV3T2-1000

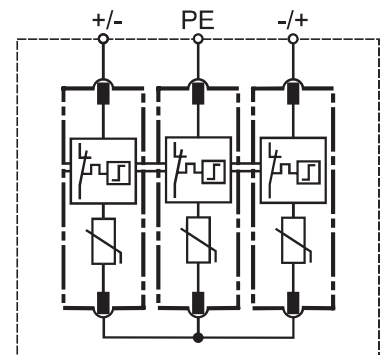


Product Dimension



Product Dimension

TECHNICAL PARAMETERS	SPECIFICATIONS
SPD classification according to IEC61643-31	Type 2
Max. continuous operating voltage (U_{cPV})	1000V DC
Max. discharge current (I_{max})	40kA
Nominal discharge current (I_n)	20kA
Voltage protection level (U_p)	$\leq 4.0kV$
Electrical connection	3 Pole
Response time (t_A)	$\leq 25nS$
Operating temperature	$-40^{\circ}C$ to $+70^{\circ}C$
Operating state / fault indication	Green / Red
Enclosure material	Thermoplastic UL94-V0
Rated cross section	$4mm^2$ - $25mm^2$
Remote signalling contact	Optional
Mounting	35mm Din rail
Short Circuit Current Rating (I_{scPV})	1000A
Degree of protection	IP20



Connection Diagram