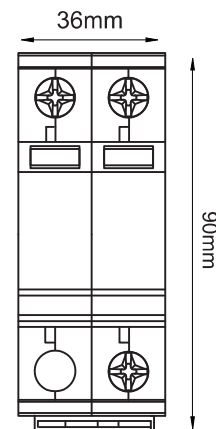
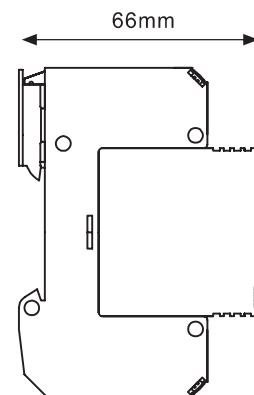




SPPV1+1T2-320

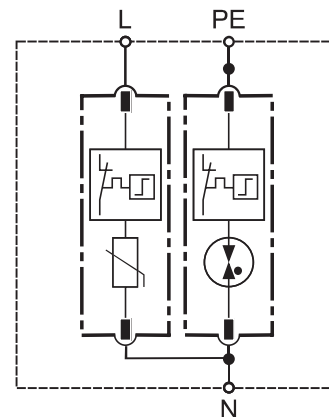


Product Dimension



Product Dimension

TECHNICAL PARAMETERS	SPECIFICATIONS
SPD classification according to EN61643-11	Type 2
SPD classification according to IEC61643-11	Class II
Nominal Voltage (U _n)	230 / 415 V AC
Max. continuous operating a.c. voltage (U _c)	320V AC
Max. continuous operating a.c. voltage [N-PE] (U _c)	255V
Nominal discharge current (I _n)	20kA
Max. discharge current (I _{max})	40kA
Voltage protection level (U _p)	≤ 1.5kV
Voltage protection level [N-PE] (U _p)	≤ 1.5kV
Max. backup fuse	125A gL
Response time (t _A)	≤ 25ns
Response time [N-PE] (t _A)	≤ 100ns
Operating temperature range (T _u)	-40°C to +70°C
Operating state / fault indication	Green / Red
Cross-section area (M _{in})	4mm ²
Cross-section area (M _{ax})	35mm ²
Mounting	35mm Din rail
Enclosure material	Thermal Plastic UL94-V0
Degree of protection	IP20



Connection Diagram