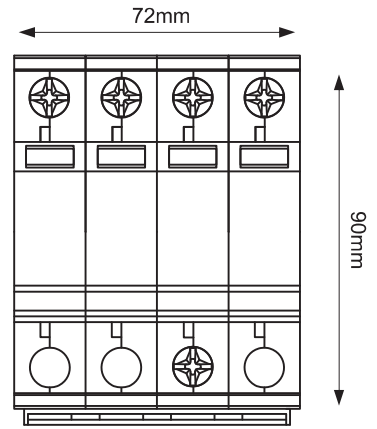
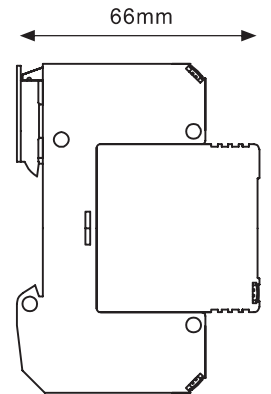


**SPPV3+1T2-320**

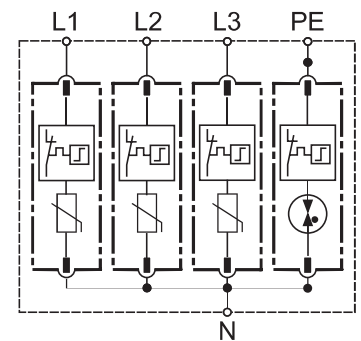


**Product Dimension**



**Product Dimension**

TECHNICAL PARAMETERS	SPECIFICATIONS
SPD classification according to EN61643-11	Type 2
SPD classification according to IEC61643-11	Class II
Nominal voltage (U <sub>n</sub> )	230 / 415 V AC
Max. continuous operating a.c. voltage (U <sub>c</sub> )	320V AC
Max. continuous operating a.c. voltage [N-PE] (U <sub>c</sub> )	255V
Nominal discharge current (I <sub>n</sub> )	20kA
Max. discharge current (I <sub>max</sub> )	40kA
Voltage protection level (U <sub>p</sub> )	≤ 1.5kV
Voltage protection level [N-PE] (U <sub>p</sub> )	≤ 1.5kV
Max. backup fuse	125A gL
Response time (t <sub>A</sub> )	≤ 25ns
Response time [N-PE] (t <sub>A</sub> )	≤ 100ns
Operating temperature range (T <sub>u</sub> )	-40°C to +70°C
Operating state / fault indication	Green / Red
Cross-section area (M <sub>in</sub> )	4mm <sup>2</sup>
Cross-section area (M <sub>ax</sub> )	35mm <sup>2</sup>
Mounting	35mm Din rail
Enclosure material	Thermal Plastic UL94-V0
Degree of protection	IP20



**Connection Diagram**