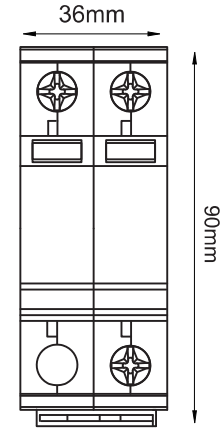
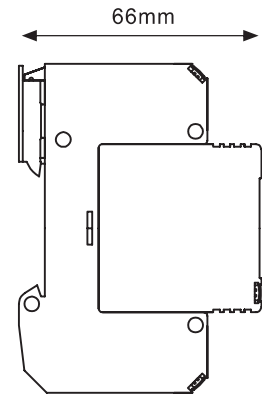


SPPV2T2-600

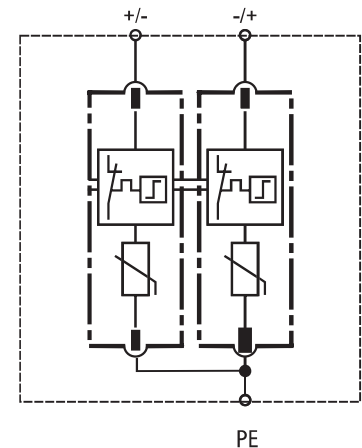


Product Dimension



Product Dimension

TECHNICAL PARAMETERS	SPECIFICATIONS
SPD classification according to IEC61643-31	Type 2
Max. continuous operation DC voltage (U _c)	600V DC
Max. discharge current (I _{max})	40 kA
Nominal discharge current (I _n)	20 kA
Voltage protection level (U _p)	2.8 kV
Maximum backup fuse	125A gL
Response time	25 ns
Environment temperature	-40°C~70°C
Status Indicator	green / red
Mounting	35mm Din Rail
Cross section of wire (Min)	2.5mm ²
Cross section of wire (Max)	25mm ²
Casing Material	Thermal Plastic UL94-V0
Degree of Protection	IP20
Remote Signalling	Selectable
Dimension (LxWxH)	90x36x70mm



Connection Diagram